

# Alitherm 600 Data Sheet

## Application

All general light use applications inc commercial.

## Features

- An enhanced system designed to comply with the revisions to the Building Regulations
- Document L compliant
- System can achieve Window Energy 'B' Rating
- Profiles feature an extended polyamide thermal break to enhance thermal performance
- Fabrication is by method of crimped or mechanical corners
- Ovolo, chamfered or square profiles
- British Standard Kitemarked system KM 81580 KM 81543

## Technical Performance

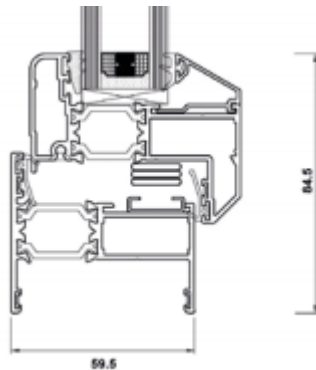
<b>Finish</b>	Single or dual colour, marine quality polyester powder coat as standard
<b>U Value</b>	1.3W/m <sup>2</sup> K using correct sealed unit
<b>WER</b>	B
<b>Air</b>	Class 4, 600Pa
<b>Water</b>	Class E, 1200Pa
<b>Wind</b>	Class AE, 2400Pa

Document L Compliant

## Dimensions

<b>Frame Depth</b>	59mm & 70mm
<b>Glass</b>	28mm to 38mm double or triple glazed units
<b>SH Max o/a Width</b>	1000mm
<b>SH Max o/a Height</b>	1400mm
<b>TH Max o/a Width</b>	1400mm
<b>TH Max o/a Height</b>	1500mm

[For sizes outside of these parameters, contact Smarts Technical].



### Title:

Alitherm 600 windows

**Please contact Renka, your architect or contractor should you require further advice**

### Revision Date :

24.10.2017

The drawing is produced and distributed for the sole use of Renka Ltd and its clients and shall not be copied or otherwise reproduced without the consent and prior written permission of the company.



architectural glazing

sales@renka.co.uk  
www.renka.co.uk  
0121 333 4665