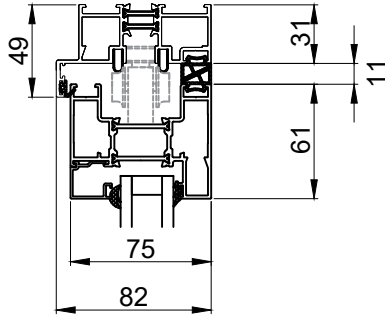
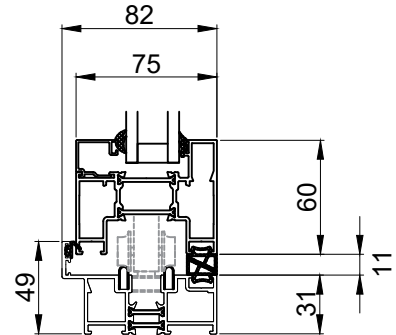


RF1200 - Outward Opening (no cill)

Head



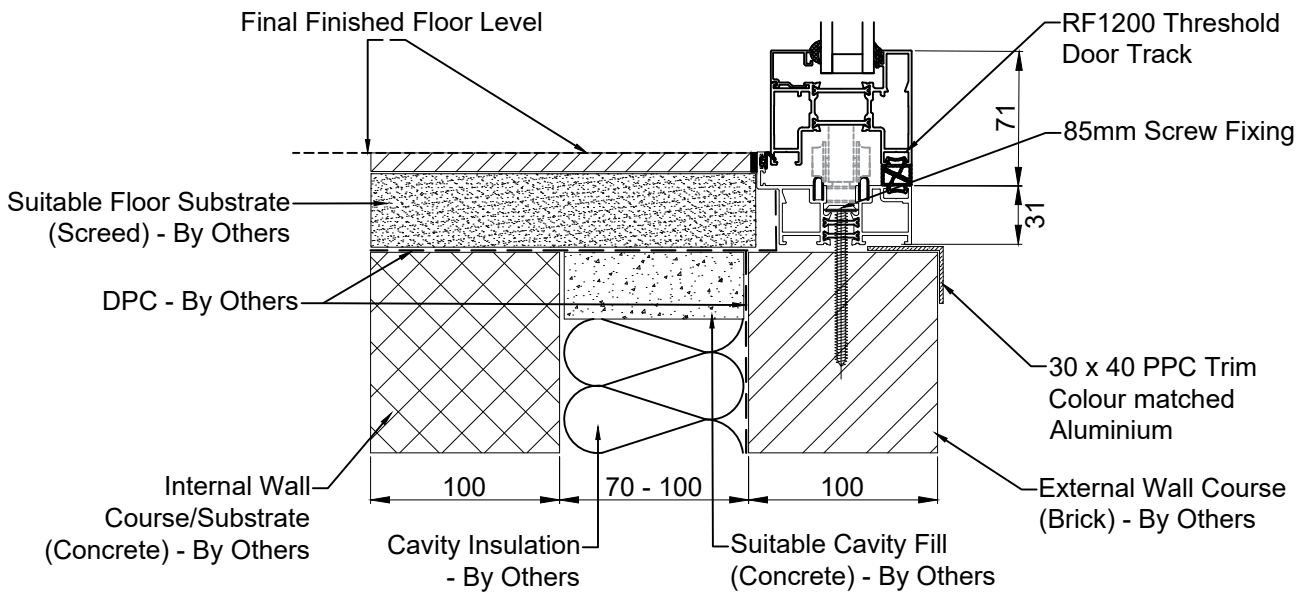
Threshold




Generic Threshold Detail

RF1200 - Outward Opening (no cill)

(Site conditions may vary)



Title	Scale	<p>The attached drawing displays accurate threshold dimensions for the system shown. THE MEASUREMENTS RELATING TO WHERE THE SYSTEM SITS IN RELATION TO THE SURROUNDING STRUCTURE (DPC / FFFL ETC) ARE TYPICAL / GENERIC, AND THESE MAY BE AFFECTED BY SITE CONDITIONS.</p> <p>For further technical support, and to consider the possibilities for your particular application, please consult your architect / project manager or discuss with a member of the technical support team at Renka.</p>	 <p>architectural glazing</p> <p>sales@renka.co.uk www.renka.co.uk 0121 333 4665</p>
Renka RF1200 Doors Head and Threshold (no cill)	Not to Scale. Dimensions in MM. For illustrative purposes only. DO NOT SCALE FROM THIS DRAWING		
Revision Date			
19/11/2019	This drawing is produced and distributed for the sole use of Renka Ltd and its clients and shall not be copied or otherwise reproduced without the consent and prior written permission of the company.		
Drawing Number			
2019/RF1200/W02			