

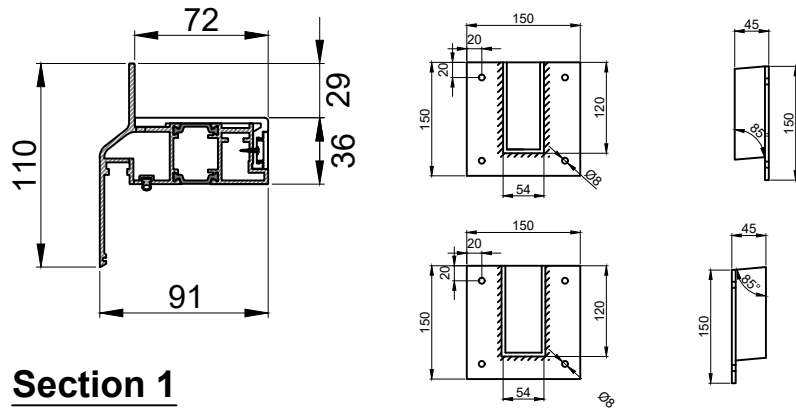
Notes

Rooflight order size will match dimensions for the EXTERNAL kerb.

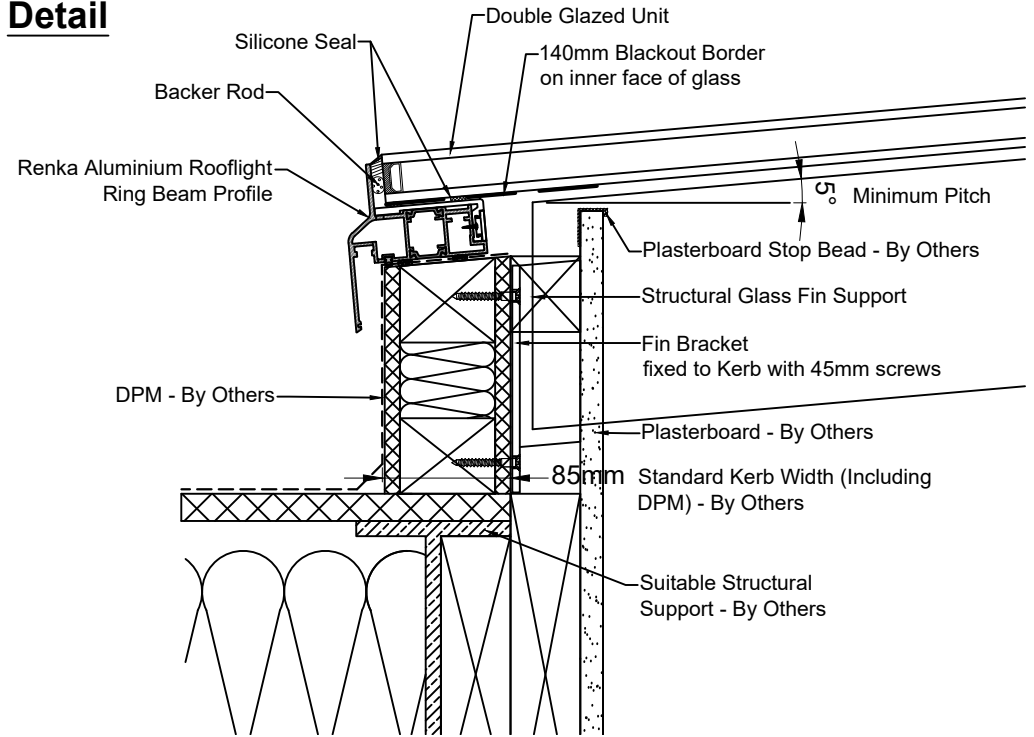
Minimum kerb height of 150mm is required for all applications.

85mm kerb width is preferred, however smaller or larger widths can be accommodated.

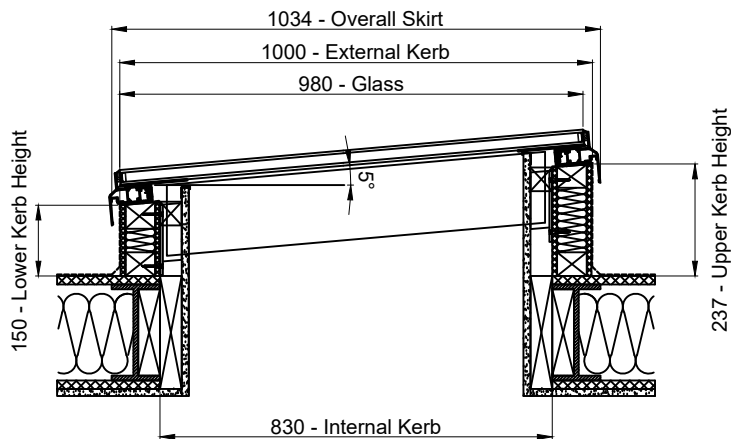
Ring Beam Profile & Fin Bracket Dimensions



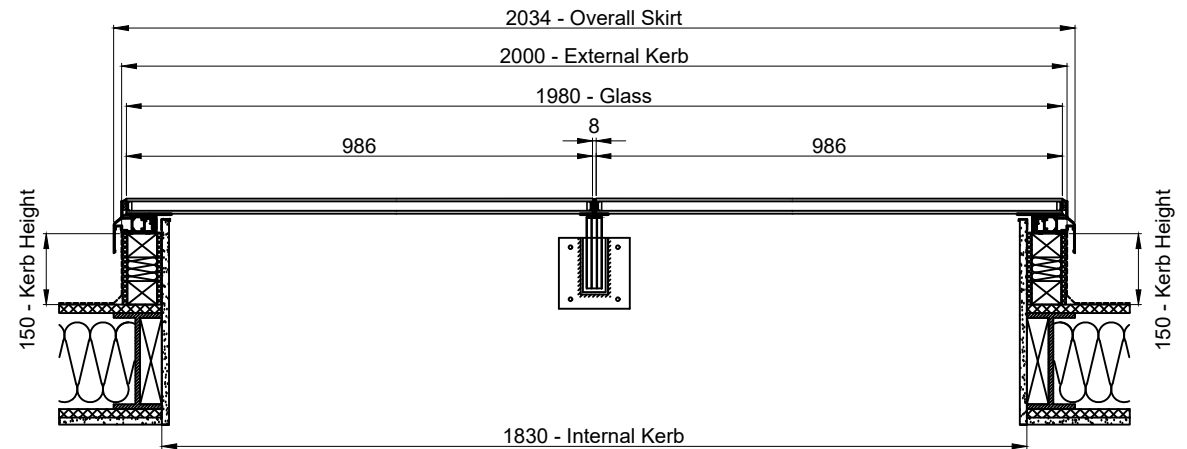
Detail



Section 1



Section 2



Renka Limited
34 - 36 New John Street,
Birmingham, B19 3NB.
Tel.- 0121 333 4665
Email. - SALES@RENKA.CO.UK

IT IS THE RESPONSIBILITY OF THE KERB DESIGNER TO ENSURE THE KERB WILL BE STRUCTURALLY ADEQUATE TO HOLD THE ROOFLIGHT. KERBS SHOWN ON RENKA DRAWINGS ARE FOR ILLUSTRATION PURPOSES ONLY.

Renka would advise an installation with a minimum pitch of 5° for rooflight units to minimize water pooling. If installed below the recommended 5° pitch, Renka cannot be held responsible for any excessive pooling of water to the surface of the rooflight post installation.

THIS DRAWING MUST NOT BE COPIED OR PASSED TO A THIRD PARTY WITHOUT WRITTEN CONSENT FROM RENKA LIMITED.

CHECKED MW
DATE 29/07/2019
DRAWN LET
DATE 29/07/2019

TOLERANCE UNLESS OTHERWISE STATED
DIMENSIONS IN MM
SCALE NTS

SYSTEM: Renka Flat Rooflight
FINISH: RAL 7016 (Anthracite Grey)
SHEET 1 of 2

PROJECT: Rooflight Standard Size
TITLE: 1000x2000