

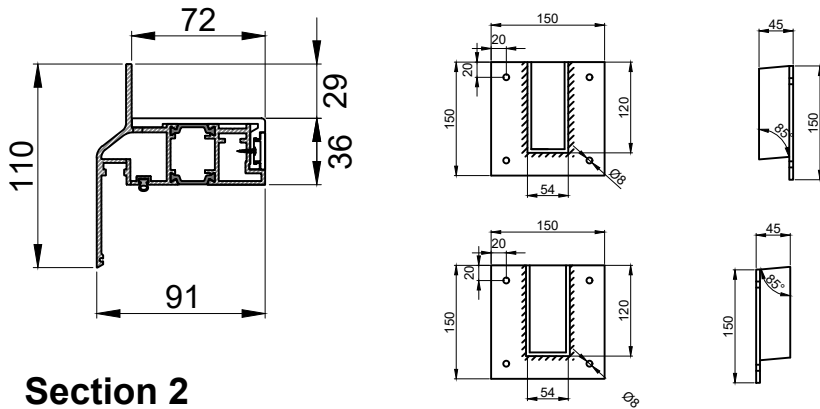
Notes

Rooflight order size will match dimensions for the EXTERNAL kerb.

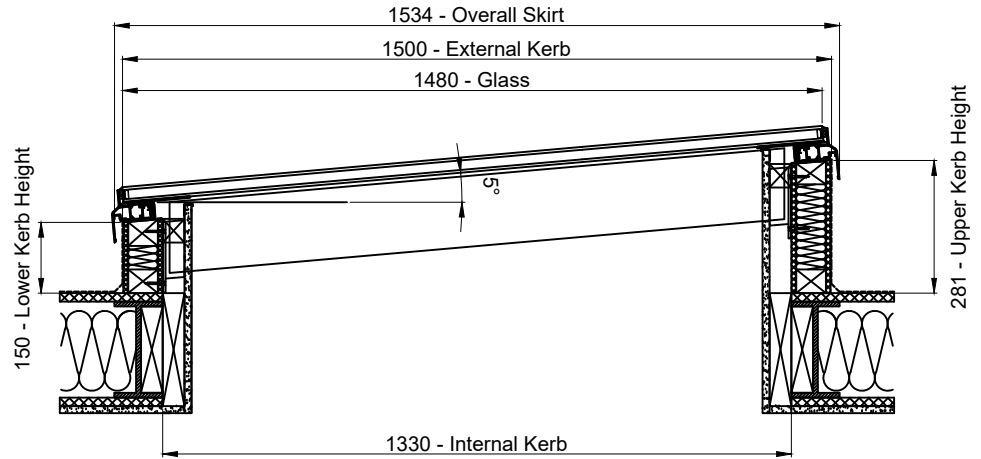
Minimum kerb height of 150mm is required for all applications.

85mm kerb width is preferred, however smaller or larger widths can be accommodated.

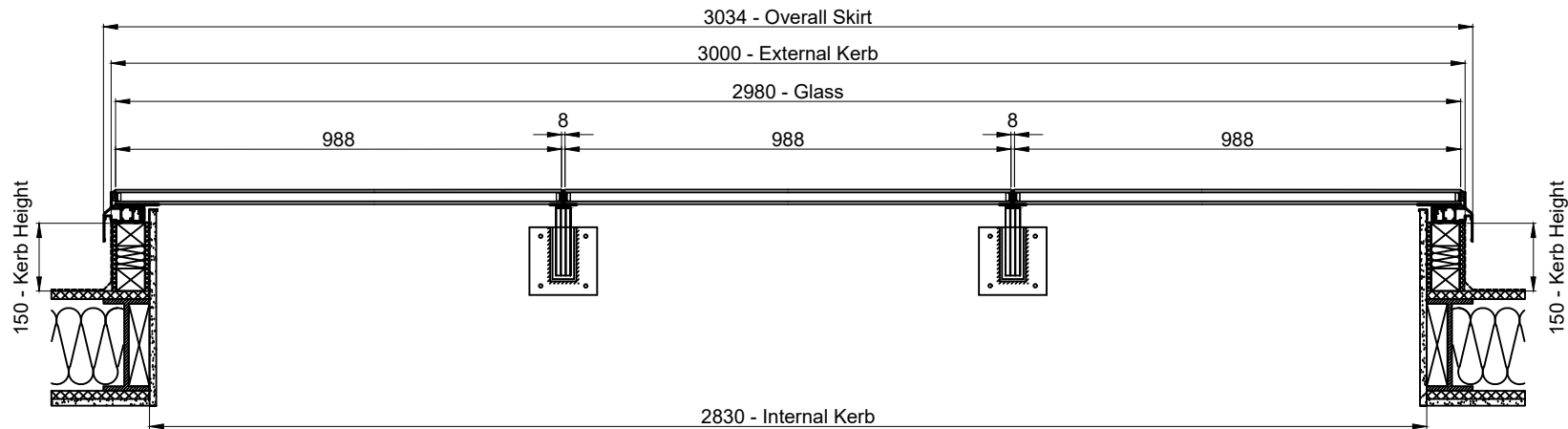
Ring Beam Profile & Fin Bracket Dimensions



Section 1



Section 2



Renka Limited
 34 - 36 New John Street,
 Birmingham, B19 3NB.
 Tel.- 0121 333 4665
 Email. - SALES@RENKA.CO.UK

IT IS THE RESPONSIBILITY OF THE KERB DESIGNER TO ENSURE THE KERB WILL BE STRUCTURALLY ADEQUATE TO HOLD THE ROOFLIGHT. KERBS SHOWN ON ILLUSTRATION PURPOSES ONLY.

Renka would advise an installation with a minimum pitch of 5° for rooflight units to minimize water pooling. If installed below the recommended 5° pitch, Renka cannot be held responsible for any excessive pooling of water to the surface of the rooflight post installation.

THIS DRAWING MUST NOT BE COPIED OR PASSED TO A THIRD PARTY WITHOUT WRITTEN CONSENT FROM RENKA LIMITED.

CHECKED MW
 DATE 29/07/2019
 DRAWN LET
 DATE 29/07/2019

TOLERANCE UNLESS OTHERWISE STATED
 DIMENSIONS IN MM
 SCALE NTS

SYSTEM: Renka Flat Rooflight
 FINISH: RAL 7016 (Anthracite Grey)
 SHEET 1 of 2

PROJECT: Rooflight Standard Size
 TITLE: 1500x3000